

RELY ON EXCELLENCE

SeccoMix R

Mechanical seals | Agitator seals | Dry running seals



Features

- For top, side and bottom entry drives
- Dry running
- Nitrogen pressurized dual seal
- Rotating seat at product side
- Balanced
- Independent of direction of rotation

Advantages

- Ready-to-fit and factory-tested units
- With or without bearing available
- Smooth surface, free of dead spaces
- No contamination of the product by barrier fluid
- Friction-locked connection to the shaft
- ATEX certification available on request

Operating range

Shaft diameter:

d1 = 35 ... 220 (300) mm (1.38" ... 8.66" (11.81"))

Axial offset shaft/housing: d1 = 35 ... 60 mm

(1.38" ... 2.36"): max. ±1.5 mm (0.059")

d1 > 60 mm (2.36"): max. ±2.0 mm (0.079")

Radial offset shaft/housing:

max. ±0.3 mm (0.012")

Pressure: p1 = Vacuum ... 6 bar (87 PSI)

Temperature:

t1 = -20 °C ... +200 °C (-4 °F ... +392 °F)

Sliding velocity: vg = 0 ... 2 m/s (0 ... 6 ft/s)

For applications beyond this range, please inquire.

Materials

Seal face: Carbon graphite, FDA conform

Seat: Silicon carbide, FDA conform

Secondary seals and metal parts according to application and customer's specifications.

Standards and approvals

- FDA
- ATEX

Notes

Options:

- Axial bellows expansion joint (shaft movement)
- Scraper (shaft movement)

Recommended applications

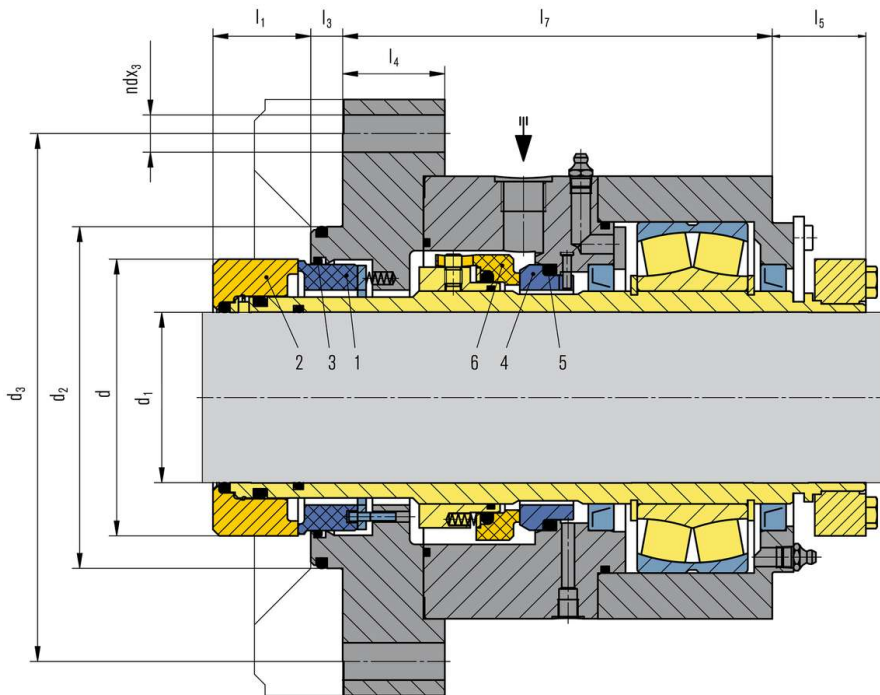
- Refining technology
- Petrochemical industry
- Chemical industry
- Pharmaceutical industry
- Food and beverage industry
- Agitators
- Mixers
- Kneaders
- Dryers
- Reactors

Recommended piping plans

Gas supply

EagleBurgmann GSS4015/A400-D0 for double seals SeccoMix R

RELY ON EXCELLENCE

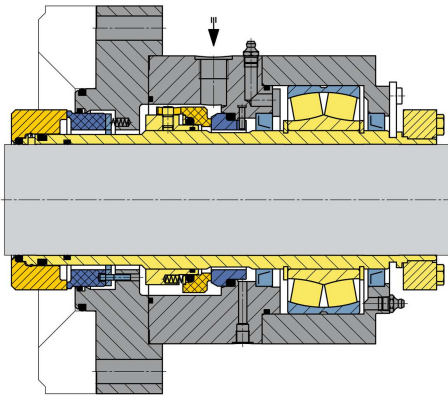


Item Description

- 1 Seal face, product side
- 2 Seat, product side
- 3 O-Ring, dynamic
- 4 Seat, atmosphere side
- 5 O-Ring
- 6 Seal face, atmosphere side

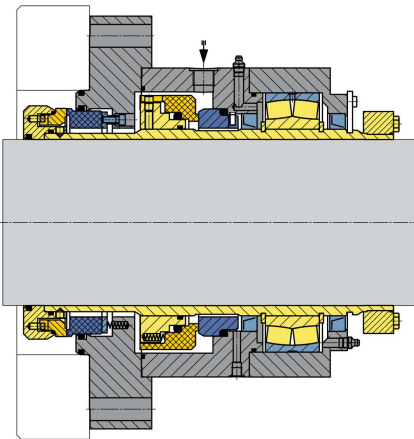
RELY ON EXCELLENCE

Product variants



SeccoMix R3

Dual seal with solid seat and integrated floating bearing $d_1 \leq 140$ mm (5,51").
As an option with fixed bearing or without bearing available.



SeccoMix R5

Dual seal with „hook-sleeve“ and integrated floating bearing $d_1 > 140$ mm (5,51").
As an option with fixed bearing or without bearing available.

Dimensions

d_1	d	l_1	d_2	l_3	d_3	$n \times d_3$	l_4	l_5	l_7
35	68	43	105	13	148	8 x 13.5	35.5	20.5	141.0
45	82.7	43	119.5	13	166	8 x 13.5	43.0	26.0	149.5
50	90.0	43	119.5	13	190	8 x 17.5	40.5	28.5	165.0
60	100.0	43	134.5	14	200	8 x 17.5	41.0	28.0	173.0
80	130.0	46	160.5	15	248	8 x 17.5	48.0	34.0	212.0
100	150.0	49	181.5	12	264	8 x 22.0	54.0	33.5	219.0
120	172.0	49	209.5	12	293	8 x 22.0	52.0	40.0	232.0
140	195.0	49	224.5	12	338	12 x 22.0	52.0	39.5	251.5

Dimensions in millimeter

RELY ON EXCELLENCE

eagleburgmann.com
info@eagleburgmann.com

All technical specifications are based on extensive tests and our many years of experience. The diversity of possible applications, however, means that they can serve only as guide values.

We must be notified of the exact conditions of application before we can provide any guarantee for a specific case. This is subject to change.